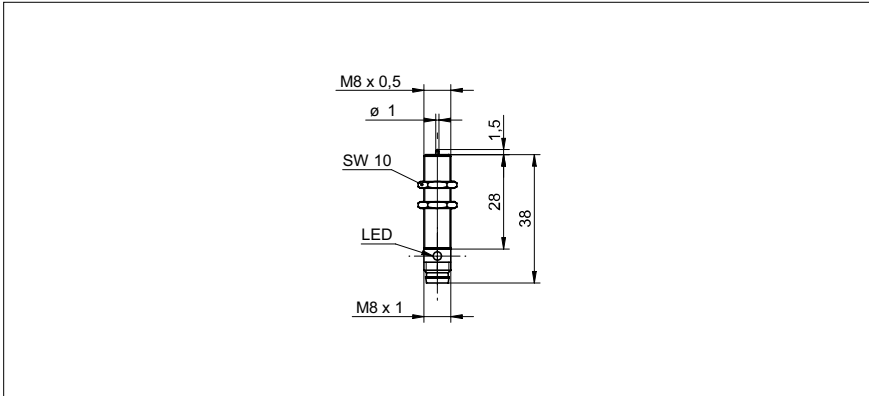


My-Com precision switches

MY-COM G

sample drawing



general data

| | |
|-------------------------|--------------------|
| repeat accuracy | < 0,001 mm |
| activating force | 75 cN |
| mech. pre-run / overrun | - / 1,5 mm approx. |

electrical data

| | |
|-----------------------------|--------------|
| voltage supply range +Vs | 5 ... 36 VDC |
| load current max. at 24 VDC | 50 mA |
| load resistance min. | 480 Ohm |

mechanical data

| | |
|------------------|----------------------|
| activating pin | zirconium oxide ZrO2 |
| housing material | brass nickel plated |
| dimension | 8 mm |

ambient conditions

| | |
|-----------------------|----------------|
| operating temperature | -20 ... +75 °C |
| protection class | IP 50 |

sample picture



| order reference | output circuit | housing length | connection types |
|------------------|------------------------|----------------|------------------|
| MY-COM G75N/S35L | NPN make function (NO) | 38 mm | connector M8 |
| MY-COM G75N80/L | NPN make function (NO) | 28 mm | cable, 80 cm |
| MY-COM G75P/S35L | PNP make function (NO) | 38 mm | connector M8 |
| MY-COM G75P80/L | PNP make function (NO) | 28 mm | cable, 80 cm |