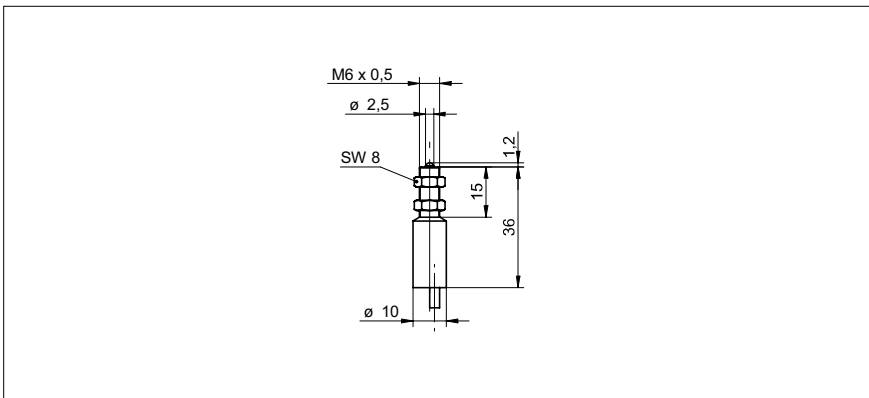


**My-Com precision switches**

**MY-COM E**

**sample drawing**



**general data**

repeat accuracy	< 0,001 mm
mech. pre-run / overrun	- / 0,8 ... 1,5 mm approx.

**electrical data**

DC voltage max.	15 VDC
switch. current DC max.	2 mA
AC voltage max.	24 VAC
switch. current AC max.	50 mA
output circuit	break function (NC) mechanical

**mechanical data**

activating pin	hardened steel
housing material	brass nickel plated
dimension	6 mm
housing length	36 mm
connection types	cable, 80 cm

**ambient conditions**

operating temperature	-20 ... +75 °C
protection class	IP 50

**order reference**

<b>MY-COM E100/80</b>	100 cN
<b>MY-COM E75/80</b>	75 cN

**activating force**

**sample picture**

