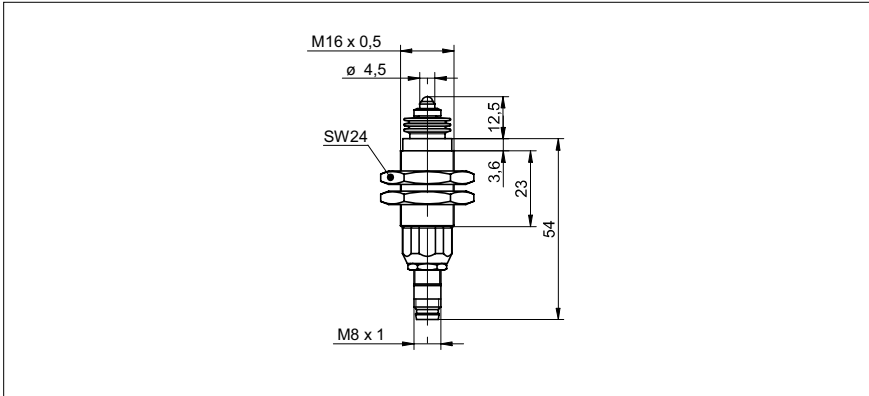


My-Com precision switches

MY-COM D

sample drawing



general data

repeat accuracy	< 0,001 mm
activating force	250 cN
mech. pre-run / overrun	1 mm / 1 mm approx.

electrical data

DC voltage max.	15 VDC
switch. current DC max.	2 mA
AC voltage max.	24 VAC
switch. current AC max.	50 mA
output circuit	break function (NC) mechanical

mechanical data

activating pin	hardened steel
housing material	browned brass
dimension	16 mm

ambient conditions

operating temperature	-20 ... +75 °C
protection class	IP 67

order reference	housing length	connection types
MY-COM D250/80	56 mm	cable, 80 cm
MY-COM D250/S35	66 mm	connector M8

sample picture

