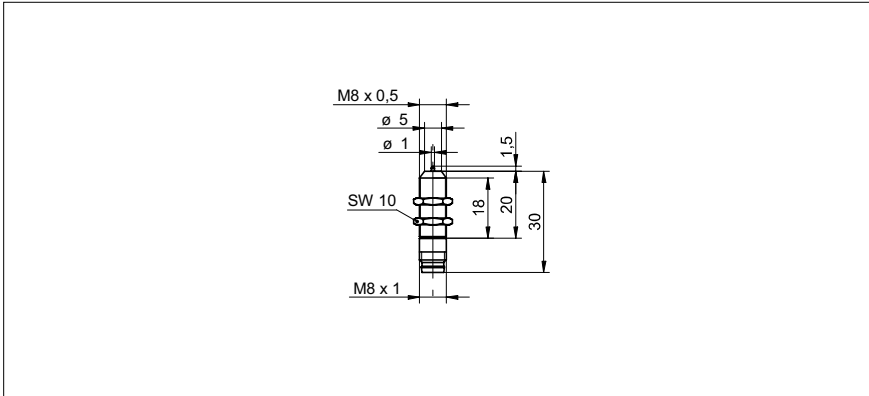


My-Com precision switches

MY-COM A

sample drawing



general data

repeat accuracy	< 0,001 mm
mech. pre-run / overrun	- / 1,5 mm approx.

electrical data

DC voltage max.	15 VDC
switch. current DC max.	2 mA
AC voltage max.	24 VAC
switch. current AC max.	50 mA
output circuit	break function (NC) mechanical

mechanical data

activating pin	zirconium oxide ZrO2
housing material	brass nickel plated
dimension	8 mm

ambient conditions

operating temperature	-20 ... +75 °C
protection class	IP 50

sample picture



order reference	activating force	housing length	connection types
MY-COM A100/80	100 cN	20 mm	cable, 80 cm
MY-COM A100/S35	100 cN	30 mm	connector M8
MY-COM A30/80	30 cN	20 mm	cable, 80 cm
MY-COM A30/S35	30 cN	30 mm	connector M8
MY-COM A50/80	50 cN	20 mm	cable, 80 cm
MY-COM A50/S35	50 cN	30 mm	connector M8
MY-COM A75/80	75 cN	20 mm	cable, 80 cm
MY-COM A75/S35	75 cN	30 mm	connector M8